

75 AMP PRESS FIT HIGH VOLTAGE DIODES

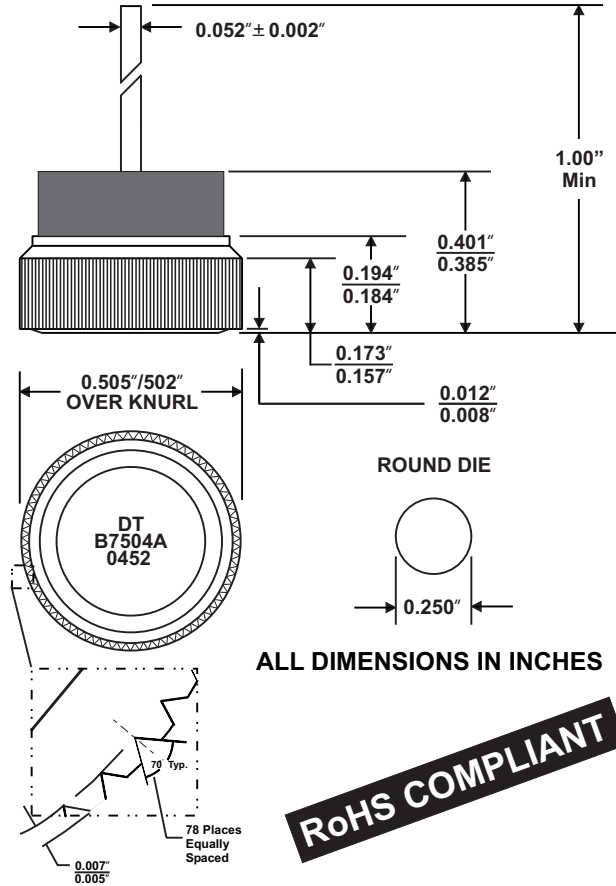
FEATURES

- **VOID FREE VACUUM DIE SOLDERING FOR MAXIMUM MECHANICAL STRENGTH AND HEAT DISSIPATION**
(Solder Voids: Typical $\leq 2\%$, Max. $\leq 5\%$ of Die Area)
- **HUGE ROUND DIE FOR ULTRA HIGH POWER & HEAVY DUTY PERFORMANCE**
- **PRESS FIT INTO HEAT SINK TO FURTHER ENHANCE HEAT HANDLING CAPABILITY**
- **PROPRIETARY HIGH TEMPERATURE JUNCTION PASSIVATION FOR SUPERIOR RELIABILITY AND PERFORMANCE**
- **LOW THERMAL STRESS STRUCTURE - PASS 5 CYCLE (-55°C TO +150°C) THERMAL SHOCK TEST**

MECHANICAL DATA

- **Case:** Nickel plated copper
- **Finish:** All external surfaces are corrosion resistant and the contact areas are readily weldable or solderable
- **Maximum Soldering Temperature:** 250 °C, 0.25" from case for 10 Seconds
- **Mounting Position:** Any. Maximum force used for diode insertion to be 12 KN
- **Polarity:** Color coded epoxy ring- ANODE on LEAD (Beige Ring); Part No.=B7502PFA/B7504PFA. CATHODE on LEAD (Black Ring) Part No.=B7502PFC/B7504PFC. Part No. marked on cap base.

MECHANICAL SPECIFICATION



MAXIMUM RATINGS & ELECTRICAL CHARACTERISTICS

Ratings at 25 °C ambient temperature unless otherwise specified.

PARAMETER (TEST CONDITIONS)	SYMBOL	RATINGS		UNITS
		B7502PFA B7502PFC	B7504PFA B7504PFC	
Series Number				
Maximum Recurrent Peak Reverse Voltage	VRRM	200	400	VOLTS
Working Peak Reverse Voltage	VRWM			
Maximum DC Blocking Voltage	VDC			
Non-Repetitive Peak Reverse Voltage (Half Wave, 60 Hz, Single Phase)	VRSM	240	480	
Average Forward Rectified Current	IO	75		AMPS
Non-repetitive Peak Forward Surge Current (Half wave, single phase, 60 Hz sine applied to rated load)	IFSM	800		
Forward Voltage Drop @ 75 Amp DC	VF	1.15 Max. / 1.05 Typ.		VOLTS
Maximum DC Reverse Current at Rated Blocking Voltage Tc = 25 °C)	IR	<2.0		µA
Junction Operating & Storage Temperature Range	TJ, TSTG	-65 to +215		°C